

4

3

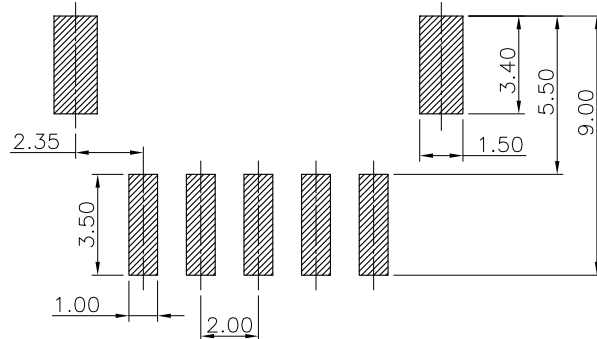
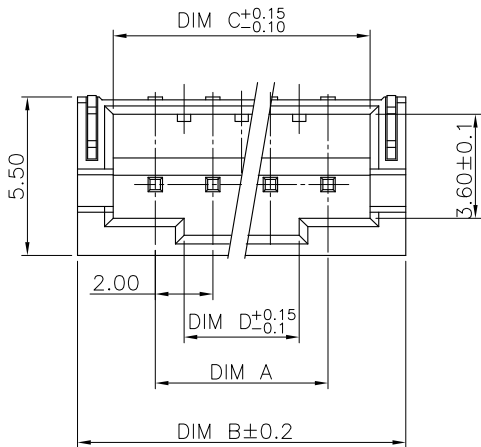
2

1

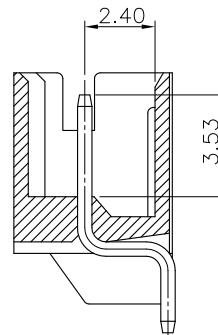
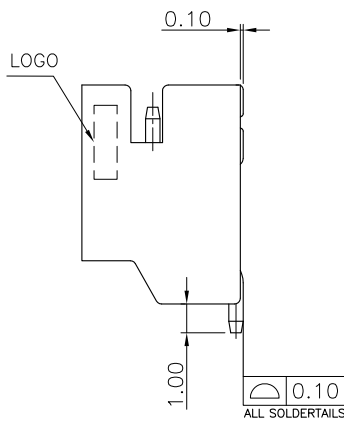
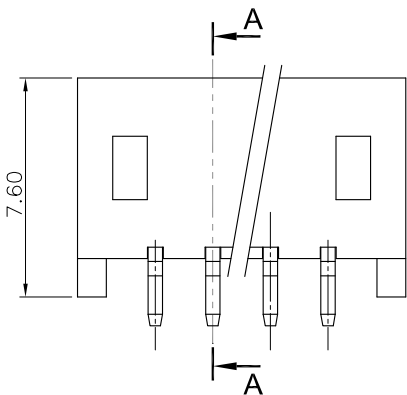
THIS DRAWING IS UNPUBLISHED. RELEASED FOR PUBLICATION

© COPYRIGHT BY TYCO ELECTRONICS CORPORATION. ALL RIGHTS RESERVED.

| LOC | DIST | REVISIONS   |                          |         |       |
|-----|------|-------------|--------------------------|---------|-------|
| P   | LTR  | DESCRIPTION | DATE                     | DWN     | APVD  |
| DW  | ---  | A3          | RELEASED (ECR-12-007398) | 26JUN12 | JL WK |



RECOMMENDED PCB LAYOUT



SECTION A-A

| 28.00     | 32.90 | 35.40 | 30.00 | 16P   | 3-1775469-6 |             |
|-----------|-------|-------|-------|-------|-------------|-------------|
| 26.00     | 30.90 | 33.40 | 28.00 | 15P   | 3-1775469-5 |             |
| 24.00     | 28.90 | 31.40 | 26.00 | 14P   | 3-1775469-4 |             |
| 22.00     | 26.90 | 29.40 | 24.00 | 13P   | 3-1775469-3 |             |
| 20.00     | 24.90 | 27.40 | 22.00 | 12P   | 3-1775469-2 |             |
| 18.00     | 22.90 | 25.40 | 20.00 | 11P   | 3-1775469-1 |             |
| 16.00     | 20.90 | 23.40 | 18.00 | 10P   | 3-1775469-0 |             |
| 14.00     | 18.90 | 21.40 | 16.00 | 9P    | 2-1775469-9 |             |
| 12.00     | 16.90 | 19.40 | 14.00 | 8P    | 2-1775469-8 |             |
| 10.00     | 14.90 | 17.40 | 12.00 | 7P    | 2-1775469-7 |             |
| 8.00      | 12.90 | 15.40 | 10.00 | 6P    | 2-1775469-6 |             |
| 6.00      | 10.90 | 13.40 | 8.00  | 5P    | 2-1775469-5 |             |
| 4.00      | 8.90  | 11.40 | 6.00  | 4P    | 2-1775469-4 |             |
| 2.00      | 6.90  | 9.40  | 4.00  | 3P    | 2-1775469-3 |             |
| 0.60      | 4.90  | 7.40  | 2.00  | 2P    | 2-1775469-2 |             |
| 28.00     | 32.90 | 35.40 | 30.00 | 16P   | 1-1775469-6 |             |
| 26.00     | 30.90 | 33.40 | 28.00 | 15P   | 1-1775469-5 |             |
| 24.00     | 28.90 | 31.40 | 26.00 | 14P   | 1-1775469-4 |             |
| 22.00     | 26.90 | 29.40 | 24.00 | 13P   | 1-1775469-3 |             |
| 20.00     | 24.90 | 27.40 | 22.00 | 12P   | 1-1775469-2 |             |
| 18.00     | 22.90 | 25.40 | 20.00 | 11P   | 1-1775469-1 |             |
| 16.00     | 20.90 | 23.40 | 18.00 | 10P   | 1-1775469-0 |             |
| 14.00     | 18.90 | 21.40 | 16.00 | 9P    | 1775469-9   |             |
| 12.00     | 16.90 | 19.40 | 14.00 | 8P    | 1775469-8   |             |
| 10.00     | 14.90 | 17.40 | 12.00 | 7P    | 1775469-7   |             |
| 8.00      | 12.90 | 15.40 | 10.00 | 6P    | 1775469-6   |             |
| 6.00      | 10.90 | 13.40 | 8.00  | 5P    | 1775469-5   |             |
| 4.00      | 8.90  | 11.40 | 6.00  | 4P    | 1775469-4   |             |
| 2.00      | 6.90  | 9.40  | 4.00  | 3P    | 1775469-3   |             |
| 0.60      | 4.90  | 7.40  | 2.00  | 2P    | 1775469-2   |             |
| THICKNESS | DIM D | DIM C | DIM B | DIM A | POS         | PART NUMBER |

NOTE:

- MATERIAL : HOUSING : PA9T, UL 94V-0, COLOR: NATURAL. CONTACT : BRASS, THICKNESS=0.50mm.
- FINISH: CONTACT :  $\Delta$  2 $\mu$ m [80u"] MIN. MATTE TIN PLATED OVER 1.27 $\mu$ m [50u"] MIN. NICKEL UNDERPLATED ALL OVER.  $\Delta$  GOLD FLASH OVER 1.27 $\mu$ m [50u"] MIN. NICKEL UNDERPLATED ALL OVER.
- REFLOW SOLDER CAPABLE TO 260°C PER TE CONNECTIVITY SPEC 109-201, CONDITION B.

|                                        |  |                        |                                       |                 |                      |
|----------------------------------------|--|------------------------|---------------------------------------|-----------------|----------------------|
| THIS DRAWING IS A CONTROLLED DOCUMENT. |  | DWN O. HU 01NOV2006    | TE Connectivity                       |                 |                      |
|                                        |  | CHK S. HOU 01NOV2006   |                                       |                 |                      |
|                                        |  | APVD W.J. KE 01NOV2006 | NAME                                  |                 |                      |
| DIMENSIONS: MM                         |  | PRODUCT SPEC           | HPI CONN., 2.0MM PITCH, R/A, SMT TYPE |                 |                      |
|                                        |  | 108-57100              | QUALIFICATION TEST REPORT             |                 |                      |
| MATERIAL SEE NOTE                      |  | 501-57058              | RESTRICTED TO                         |                 |                      |
| FINISH SEE NOTE                        |  | WEIGHT --              | SIZE A3                               | CAGE CODE 00779 | DRAWING NO C=1775469 |
|                                        |  | CUSTOMER DRAWING       | SCALE --                              | SHEET 1 OF 2    | REV A3               |

4

3

2

1

THIS DRAWING IS UNPUBLISHED.

RELEASED FOR PUBLICATION

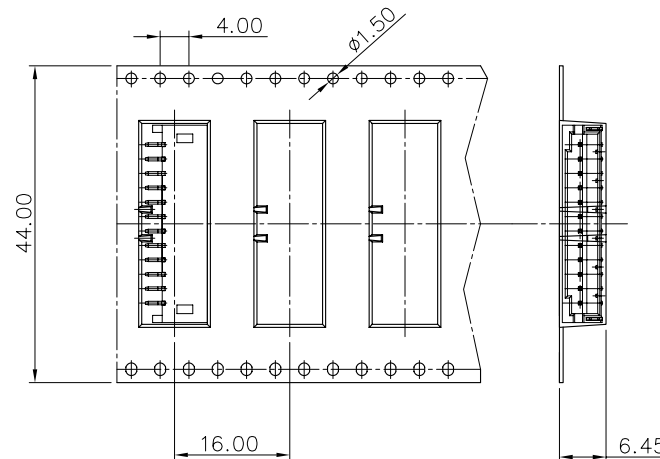
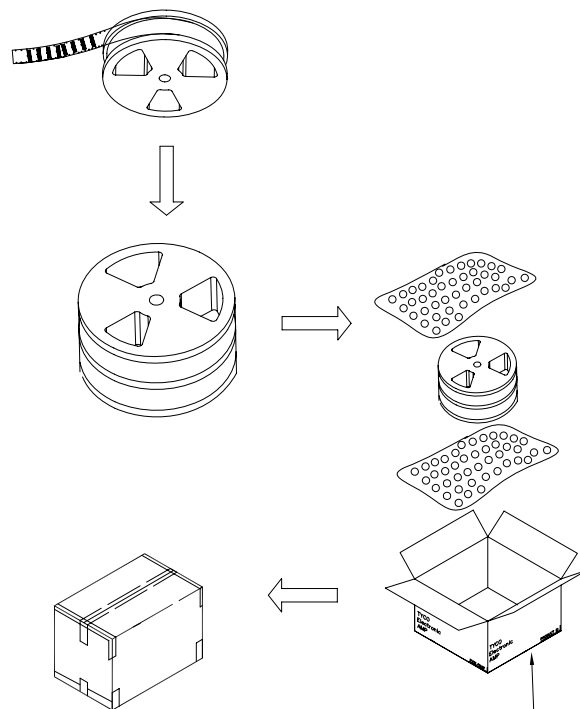
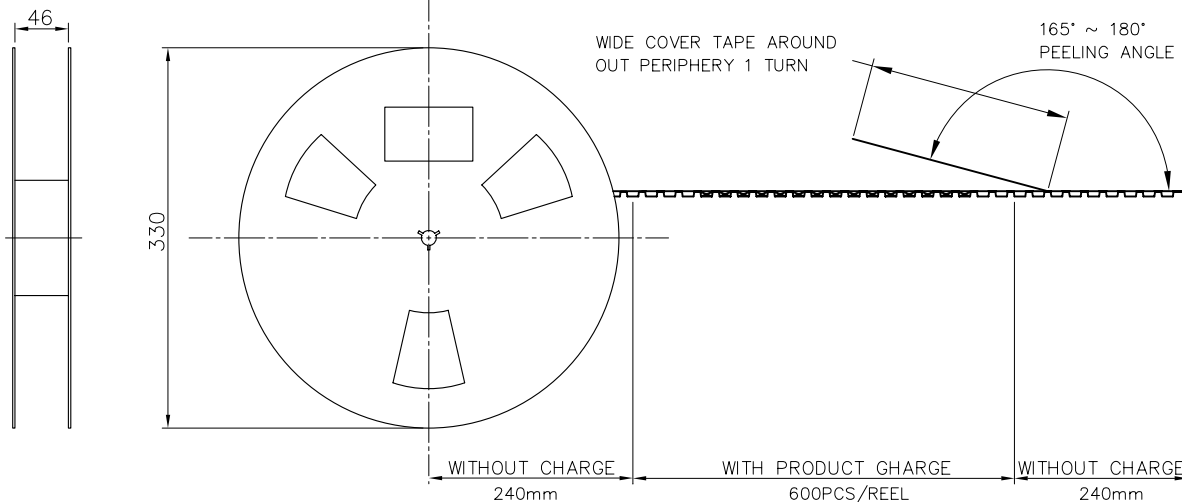
LOC DW

DIST -

REVISIONS

© COPYRIGHT BY TYCO ELECTRONICS CORPORATION. ALL RIGHTS RESERVED.

| P | LTR | DESCRIPTION  | DATE | DWN | APVD |
|---|-----|--------------|------|-----|------|
|   |     | SEE SHEET 1. |      |     |      |



| PCS/CARTON | PCS/REEL | POS | PART NUMBER |
|------------|----------|-----|-------------|
| 1,800      | 600      | 16P | 3-1775469-6 |
| 1,800      | 600      | 15P | 3-1775469-5 |
| 1,800      | 600      | 14P | 3-1775469-4 |
| 1,800      | 600      | 13P | 3-1775469-3 |
| 2,400      | 600      | 12P | 3-1775469-2 |
| 2,400      | 600      | 11P | 3-1775469-1 |
| 2,400      | 600      | 10P | 3-1775469-0 |
| 2,400      | 600      | 9P  | 2-1775469-9 |
| 2,400      | 600      | 8P  | 2-1775469-8 |
| 2,400      | 600      | 7P  | 2-1775469-7 |
| 3,000      | 600      | 6P  | 2-1775469-6 |
| 3,000      | 600      | 5P  | 2-1775469-5 |
| 3,000      | 600      | 4P  | 2-1775469-4 |
| 3,000      | 600      | 3P  | 2-1775469-3 |
| 3,000      | 600      | 2P  | 2-1775469-2 |
| 1,500      | 600      | 16P | 1-1775469-6 |
| 1,800      | 600      | 15P | 1-1775469-5 |
| 1,800      | 600      | 14P | 1-1775469-4 |
| 1,800      | 600      | 13P | 1-1775469-3 |
| 2,400      | 600      | 12P | 1-1775469-2 |
| 2,400      | 600      | 11P | 1-1775469-1 |
| 2,400      | 600      | 10P | 1-1775469-0 |
| 2,400      | 600      | 9P  | 1775469-9   |
| 2,400      | 600      | 8P  | 1775469-8   |
| 2,400      | 600      | 7P  | 1775469-7   |
| 3,000      | 600      | 6P  | 1775469-6   |
| 3,000      | 600      | 5P  | 1775469-5   |
| 3,000      | 600      | 4P  | 1775469-4   |
| 3,000      | 600      | 3P  | 1775469-3   |
| 3,000      | 600      | 2P  | 1775469-2   |

THIS DRAWING IS A CONTROLLED DOCUMENT.

DWN O. HU 01NOV2006

CHK S. HOU 01NOV2006

APVD W.J. KE 01NOV2006

PRODUCT SPEC

APPLICATION SPEC

WEIGHT

CUSTOMER DRAWING

SCALE

SHEET 2 of 2

REV A3

**STE** TE Connectivity

HPI CONN., 2.0MM PITCH,  
R/A, SMT TYPE

SIZE A3

CAGE CODE

DRAWING NO C=1775469

RESTRICTED TO