



SANYO Semiconductors

DATA SHEET

LB1946 — Monolithic Digital IC

PWM Current Control Stepping Motor Driver

Overview

The LB1946 is stepping motor drive IC that implements PWM current control bipolar drive with a fixed off time. This IC features 15-current setting levels using a fixed VREF voltage and supports for microstepping drive from 1-2 phase excitation to 4W1-2 phase excitation drive. This device is optimal for driving stepping motors such as those used for carriage drive and paper feed in printers.

Applications

- PWM current control stepping motor drivers

Features

- PWM current control with a fixed off time
- Logic input serial-parallel converter (allows 1-2, W1-2, 2W1-2, and 4W1-2 phase excitation drive)
- Current attenuation switching function (with slow decay, fast decay, and mixed decay modes)
- Built-in upper and lower side output diodes
- Simultaneous on state prevention function (through current prevention)
- Noise canceller function
- Thermal shutdown circuit
- Shutoff on low logic system voltage circuit
- Low-power mode control pin

Specifications

Absolute Maximum Ratings at $T_a = 25^\circ\text{C}$

Parameter	Symbol	Conditions	Ratings	Unit
Motor supply voltage	VBB		50	V
Peak output current	I_O PEAK	$t_w \leq 20\mu\text{s}$	1.75	A
Maximum continuous output current	I_O max		1.5	A
Logic system supply voltage	VCC		7.0	V
Logic input voltage range	VIN		-0.3 to VCC	V
Emitter output voltage	VE		1.0	V
Operating temperature	Topr		-20 to +85	°C
Storage temperature	Tstg		-55 to +150	°C
Allowable power dissipation (IC internal)	Pd max	$T_a = 25^\circ\text{C}$, independent IC	3.0	W

■ Any and all SANYO Semiconductor products described or contained herein do not have specifications that can handle applications that require extremely high levels of reliability, such as life-support systems, aircraft's control systems, or other applications whose failure can be reasonably expected to result in serious physical and/or material damage. Consult with your SANYO Semiconductor representative nearest you before using any SANYO Semiconductor products described or contained herein in such applications.

■ SANYO Semiconductor assumes no responsibility for equipment failures that result from using products at values that exceed, even momentarily, rated values (such as maximum ratings, operating condition ranges, or other parameters) listed in products specifications of any and all SANYO Semiconductor products described or contained herein.

SANYO Semiconductor Co., Ltd.

TOKYO OFFICE Tokyo Bldg., 1-10, 1 Chome, Ueno, Taito-ku, TOKYO, 110-8534 JAPAN

LB1946

Allowable Operating Ranges at $T_a = 25^\circ\text{C}$

Parameter	Symbol	Conditions	Ratings	Unit
Motor supply voltage	VBB		10 to 45	V
Logic supply voltage	V _{CC}		4.5 to 5.5	V
Reference voltage	VREF		0.0 to 3.0	V

Electrical Characteristics at $T_a = 25^\circ\text{C}$, V_{CC} = 5V, VBB = 45V, VRES = 1.52V

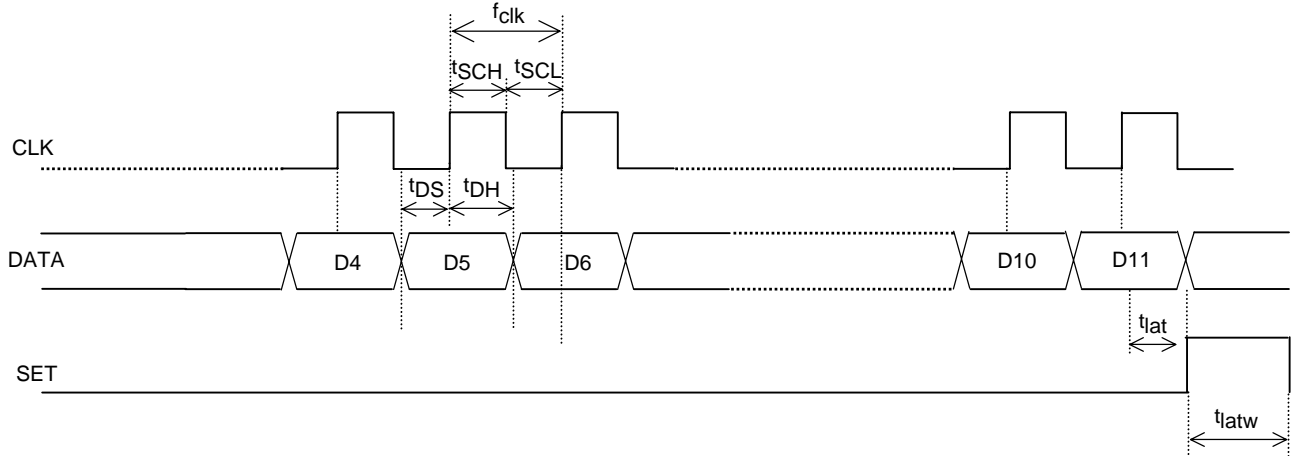
Parameter	Symbol	Conditions	Ratings			unit		
			min	typ	max			
Output Block								
Output stage supply current	IBB ON		1.6	2.4	3.5	mA		
	IBB OFF		1.3	1.9	2.5	mA		
Output saturation voltage 1	V _{OSat1}	I _O =+1.0A (sink)		1.2	1.6	V		
Output saturation voltage 2	V _{OSat2}	I _O =+1.5 A (sink)		1.5	1.9	V		
Output saturation voltage 3	V _{OSat3}	I _O =-1.0 A (source)		1.9	2.2	V		
Output saturation voltage 4	V _{OSat4}	I _O =-1.5 A (source)		2.2	2.4	V		
Output leakage current	I _{O1} (leak)	V _O =VBB (sink)			50	μA		
	I _{O2} (leak)	V _O =0V (source)	-50			μA		
Output sustain voltage	V _{O sus}	L=15mH I _O =1.5A *	45			V		
Logic Block								
Logic system supply current	I _{CC} ON	D0=1,D1=1,D2=1,D3=1 When these data values are set	25.5	37	48.5	mA		
	I _{CC} OFF1	D0=0,D1=0,D2=0,D3=0	18	26	34	mA		
	I _{CC} OFF2	ST=LOW	0.01	0.05	0.1	mA		
Input voltage	V _{IH}		2			V		
	V _{IL}				0.8	V		
Input current	I _{IH}	V _{IH} =2V			35	μA		
	I _{IL}	V _{IL} =0.8V	6			μA		
Sense voltages	VE	D0=1,D1=1,D2=1,D3=1 When these data values are set	0.470	0.50	0.525	V		
		D0=1,D1=1,D2=1,D3=0	0.445	0.48	0.505	V		
		D0=1,D1=1,D2=0,D3=1	0.425	0.46	0.485	V		
		D0=1,D1=1,D2=0,D3=0	0.410	0.43	0.465	V		
		D0=1,D1=0,D2=1,D3=1	0.385	0.41	0.435	V		
		D0=1,D1=0,D2=1,D3=0	0.365	0.39	0.415	V		
		D0=1,D1=0,D2=0,D3=1	0.345	0.37	0.385	V		
		D0=1,D1=0,D2=0,D3=0	0.325	0.35	0.365	V		
		D0=0,D1=1,D2=1,D3=1	0.280	0.30	0.325	V		
		D0=0,D1=1,D2=1,D3=0	0.240	0.26	0.285	V		
		D0=0,D1=1,D2=0,D3=1	0.195	0.22	0.235	V		
		D0=0,D1=1,D2=0,D3=0	0.155	0.17	0.190	V		
Reference current	IREF	VREF=1.5V	-0.5			μA		
		CR pin current	ICR	CR=1.0V	-1.7	-1.25	-0.9	mA
		MD pin current	IMD	MD=1.0V, CR=4.0V	-5.0			μA
Logic system on voltage	VLSDON		2.6	2.8	3.0	V		
Logic system off voltage	VLSDOFF		2.45	2.65	2.85	V		
LVSD hysteresis	VLHIS		0.03	0.15	0.35	V		
Thermal shutdown temperature	Ts			170		°C		

*Design guaranteed value

LB1946

AC Electrical Characteristics at $V_{CC} = 5V$

Parameter	Symbol	Conditions	Ratings			unit
			min	typ	max	
Clock frequency	f_{clk}	$V_{CC}=5.0V$		200	550	kHz
Data setup time	t_{DS}	$V_{CC}=5.0V$	0.9	2.5		μs
Data hold time	t_{DH}	$V_{CC}=5.0V$	0.9	2.5		μs
Minimum clock high-level pulse width	t_{SCH}	$V_{CC}=5.0V$	0.9	2.5		μs
Minimum clock low-level pulse width	t_{SCL}	$V_{CC}=5.0V$	0.9	2.5		μs
SET pin stipulated time	t_{lat}	$V_{CC}=5.0V$	0.9	2.5		μs
SET pin signal pulse width	t_{latw}	$V_{CC}=5.0V$	1.9	5.0		μs



$V_{CC}=3.3V$ Specification

Absolute Maximum Ratings

Parameter	Symbol	Conditions	Ratings	Unit
Emitter output voltage	V_E		0.5	V

Allowable Operating Ranges at $T_a = 25^\circ C$

Parameter	Symbol	Conditions	Ratings	Unit
Motor system supply voltage	V_{BB}		10 to 45	V
Logic system supply voltage	V_{CC}		3.0 to 3.6	V
Reference voltage	V_{REF}		0.0 to 1.0	V

Electrical Characteristics at $T_a = 25^\circ C$, $V_{CC} = 3.3V$, $V_{BB} = 45V$, $V_{REF} = 1.0V$

Parameter	Symbol	Conditions	Ratings			unit
			min	typ	max	
Output Block						
Output stage supply current	IBB ON		1.6	2.4	3.5	mA
	IBB OFF		1.3	1.9	2.5	mA
Output saturation voltage 1	V_{Osat1}	$I_O=+1.0A$ (sink)		1.3	1.7	V
Output saturation voltage 2	V_{Osat2}	$I_O=+1.5 A$ (sink)		1.6	2.0	V
Output saturation voltage 3	V_{Osat3}	$I_O=-1.0 A$ (source)		1.9	2.2	V
Output saturation voltage 4	V_{Osat4}	$I_O=-1.5 A$ (source)		2.2	2.4	V
Output leakage current	I_{O1} (leak)	$V_O=V_{BB}$ (sink)			50	μA
	I_{O2} (leak)	$V_O=0V$ (source)	-50			μA
Output sustain voltage	$V_{O sus}$	$L=15mH$ $I_O=-1.5A$ *	45			V

*Design guaranteed value

Continued on next page.

LB1946

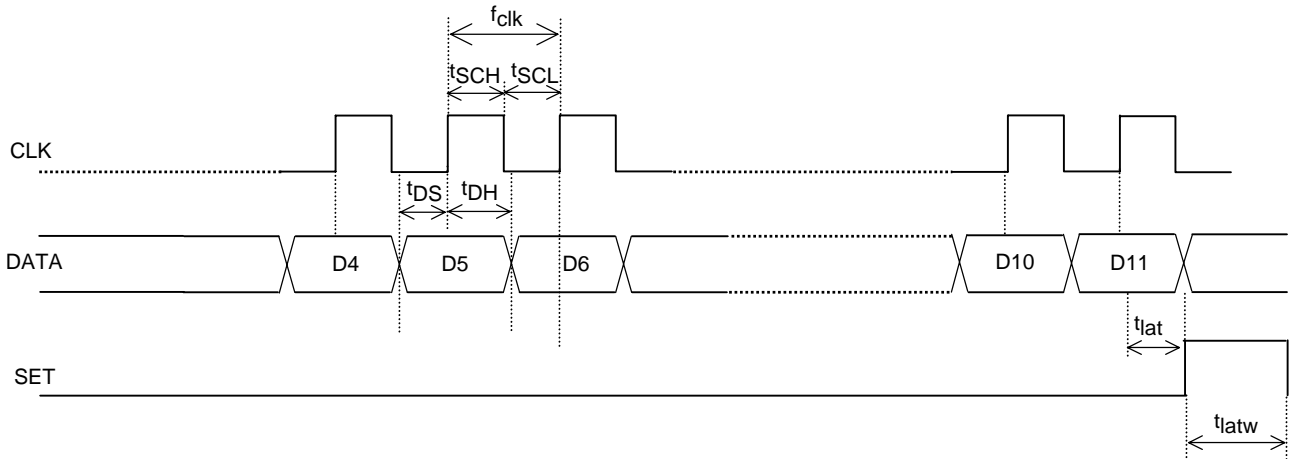
Continued from preceding page.

Parameter	Symbol	Conditions	Ratings			unit
			min	typ	max	
Logic Block						
Logic system supply current	$I_{CC\ ON}$	D0=1,D1=1,D2=1,D3=1 When these data values are set	23.5	34	44.5	mA
	$I_{CC\ OFF1}$	D0=0,D1=0,D2=0,D3=0	16	23	30	mA
	$I_{CC\ OFF2}$	ST=0.8V	0.005	0.03	0.1	mA
Input voltage	V_{IH}		2			V
	V_{IL}				0.8	V
Input current	I_{IH}	$V_{IH}=2V$			35	μA
	I_{IL}	$V_{IL}=0.8V$	6			μA
Sense voltages	VE	D0=1,D1=1,D2=1,D3=1 When these data values are set	0.303	0.330	0.356	V
		D0=1,D1=1,D2=1,D3=0	0.290	0.315	0.341	V
		D0=1,D1=1,D2=0,D3=1	0.276	0.300	0.324	V
		D0=1,D1=1,D2=0,D3=0	0.263	0.286	0.309	V
		D0=1,D1=0,D2=1,D3=1	0.250	0.272	0.294	V
		D0=1,D1=0,D2=1,D3=0	0.236	0.257	0.278	V
		D0=1,D1=0,D2=0,D3=1	0.223	0.243	0.263	V
		D0=1,D1=0,D2=0,D3=0	0.209	0.228	0.247	V
		D0=0,D1=1,D2=1,D3=1	0.183	0.200	0.217	V
		D0=0,D1=1,D2=1,D3=0	0.155	0.170	0.185	V
		D0=0,D1=1,D2=0,D3=1	0.128	0.143	0.158	V
		D0=0,D1=1,D2=0,D3=0	0.102	0.114	0.126	V
		D0=0,D1=0,D2=1,D3=1	0.074	0.085	0.096	V
		D0=0,D1=0,D2=1,D3=0	0.047	0.057	0.067	V
Reference current	IREF	VREF=1.5V	-0.5			μA
CR pin current	ICR	CR=1.0V	-0.91	-0.7	-0.49	mA
MD pin current	IMD	MD=1.0V, CR=4.0V	-5.0			μA
Logic system on voltage	VLSDON		2.6	2.8	3.0	V
Logic system off voltage	VLSDOFF		2.45	2.65	2.85	V
LVSD hysteresis	VLHIS		0.03	0.15	0.35	V
Thermal shutdown temperature	Ts			170		$^{\circ}C$

AC Electrical Characteristics at $V_{CC} = 3.3V$

Parameter	Symbol	Conditions	Ratings			unit
			min	typ	max	
Clock frequency	f_{clk}	$V_{CC}=3.3V$		200	550	kHz
Data setup time	t_{DS}	$V_{CC}=3.3V$	0.9	2.5		μs
Data hold time	t_{DH}	$V_{CC}=3.3V$	0.9	2.5		μs
Minimum clock high-level pulse width	t_{SCH}	$V_{CC}=3.3V$	0.9	2.5		μs
Minimum clock low-level pulse width	t_{SCL}	$V_{CC}=3.3V$	0.9	2.5		μs
SET pin stipulated time	t_{lat}	$V_{CC}=3.3V$	0.9	2.5		μs
SET pin signal pulse width	t_{latw}	$V_{CC}=3.3V$	1.9	5.0		μs

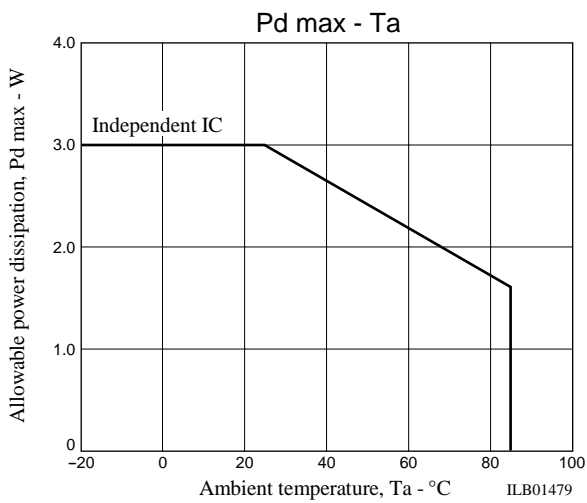
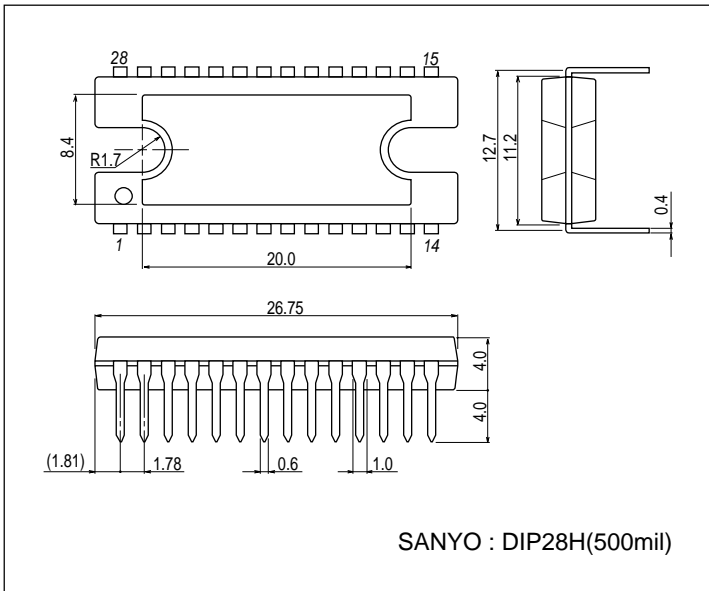
LB1946



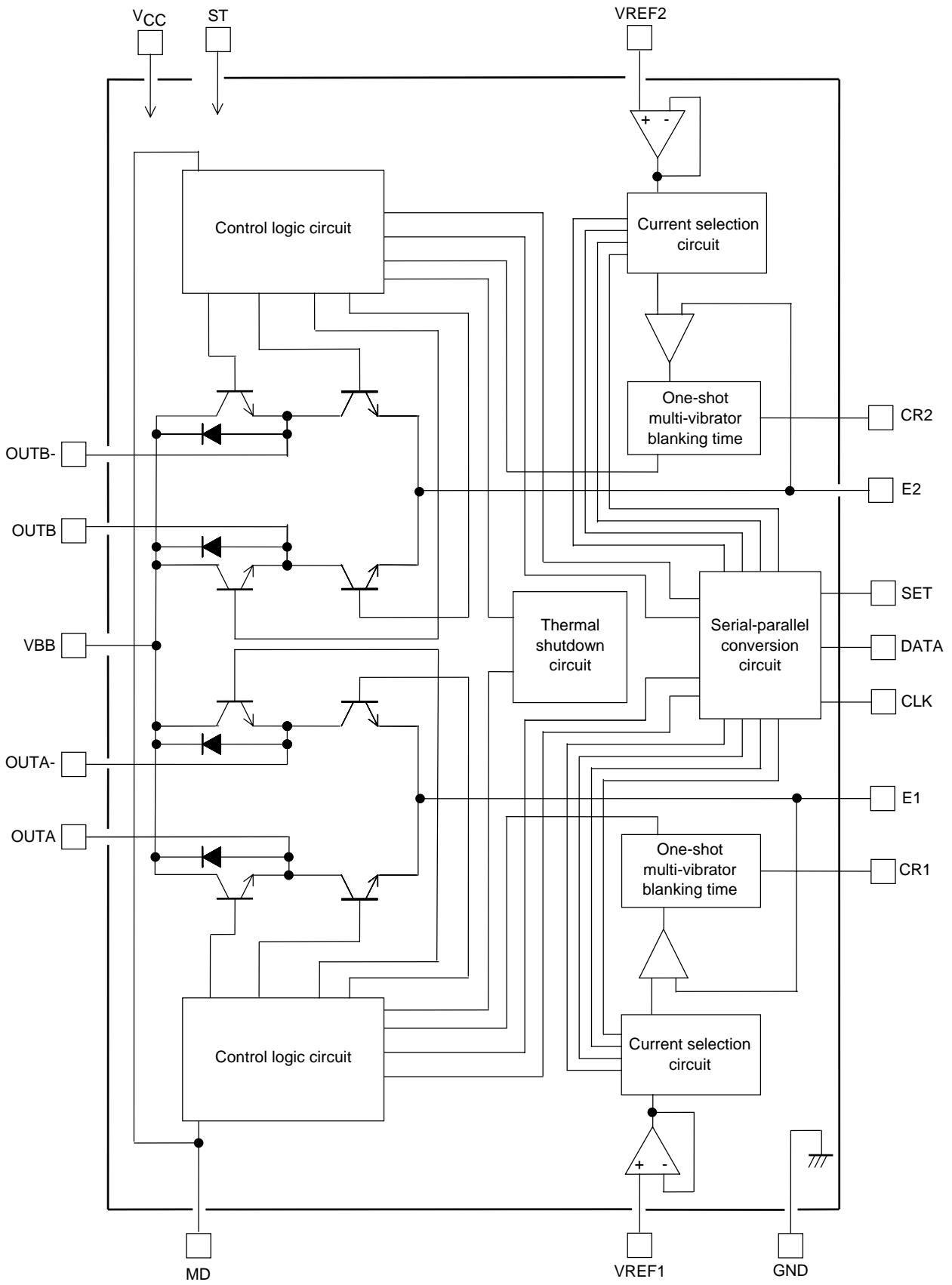
Package Dimensions

unit:mm (typ)

3147C

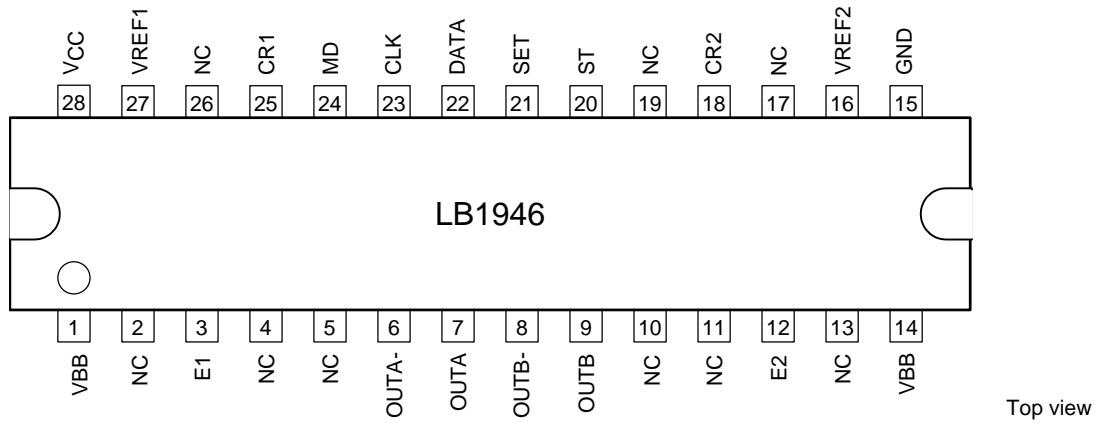


Block Diagram

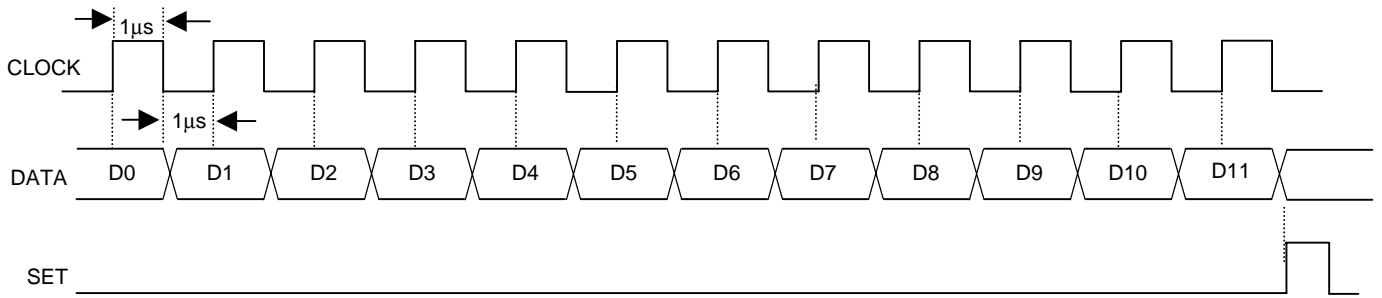


LB1946

Pin Assignment



Timing Chart



Serial Transmission Data Definitions

No.	IA4	IA3	IA2	IA1	DE1	PH1	IB4	IB3	IB2	IB1	DE2	PH2	Output mode				I/O ratio	DEC MODE
	D0	D1	D2	D3	D4	D5	D6	D7	D8	D9	D10	D11	OUTA	OUTA-	OUTB	OUTB-		
0	1	1	1	1	1	1	1	1	1	1	1	1	H	L	H	L	100%	SLOW
1	1	1	1	0	1	1	1	1	1	0	1	1	H	L	H	L	96	SLOW
2	1	1	0	1	1	1	1	1	0	1	1	1	H	L	H	L	91	SLOW
3	1	1	0	0	1	1	1	1	0	0	1	1	H	L	H	L	87	SLOW
4	1	0	1	1	1	1	1	0	1	1	1	1	H	L	H	L	83	SLOW
5	1	0	1	0	1	1	1	0	1	0	1	1	H	L	H	L	78	SLOW
6	1	0	0	1	1	1	1	0	0	1	1	1	H	L	H	L	74	SLOW
7	1	0	0	0	1	1	1	0	0	0	1	1	H	L	H	L	70	SLOW
8	0	1	1	1	1	1	0	1	1	1	1	1	H	L	H	L	61	SLOW
9	0	1	1	0	1	1	0	1	1	0	1	1	H	L	H	L	52	SLOW
10	0	1	0	1	1	1	0	1	0	1	1	1	H	L	H	L	44	SLOW
11	0	1	0	0	1	1	0	1	0	0	1	1	H	L	H	L	35	SLOW
12	0	0	1	1	1	1	0	0	1	1	1	1	H	L	H	L	26	SLOW
13	0	0	1	0	1	1	0	0	1	0	1	1	H	L	H	L	17	SLOW
14	1	1	1	1	0	0	1	1	1	1	0	0	L	H	L	H	100	FAST
15	1	1	1	0	0	0	1	1	1	0	0	0	L	H	L	H	96	FAST
16	1	1	0	1	0	0	1	1	0	1	0	0	L	H	L	H	91	FAST
17	1	1	0	0	0	0	1	1	0	0	0	0	L	H	L	H	87	FAST
18	1	0	1	1	0	0	1	0	1	1	0	0	L	H	L	H	83	FAST
19	1	0	1	0	0	0	1	0	1	0	0	0	L	H	L	H	78	FAST
20	1	0	0	1	0	0	1	0	0	1	0	0	L	H	L	H	74	FAST
21	1	0	0	0	0	0	1	0	0	0	0	0	L	H	L	H	70	FAST
22	0	1	1	1	0	0	0	1	1	1	0	0	L	H	L	H	61	FAST
23	0	1	1	0	0	0	0	1	1	0	0	0	L	H	L	H	52	FAST
24	0	1	0	1	0	0	0	1	0	1	0	0	L	H	L	H	44	FAST
25	0	1	0	0	0	0	0	1	0	0	0	0	L	H	L	H	35	FAST
26	0	0	1	1	0	0	0	0	1	1	0	0	L	H	L	H	26	FAST
27	0	0	1	0	0	0	0	0	1	0	0	0	L	H	L	H	17	FAST
28	0	0	0	0	*	*	0	0	0	0	*	*	OFF	OFF	OFF	OFF	0	-

Note *: Don't care (0 or 1)

Note 1: In the mixed decay mode, set D4 and D10 to 0 and set the MD pin to a level shown below.

Programmable MD voltage range

V_{CC}=5V specifications: 1.6 to 3.9V

V_{CC}=3.3V specifications: 1.2 to 2.5V

Current Settings Truth Table

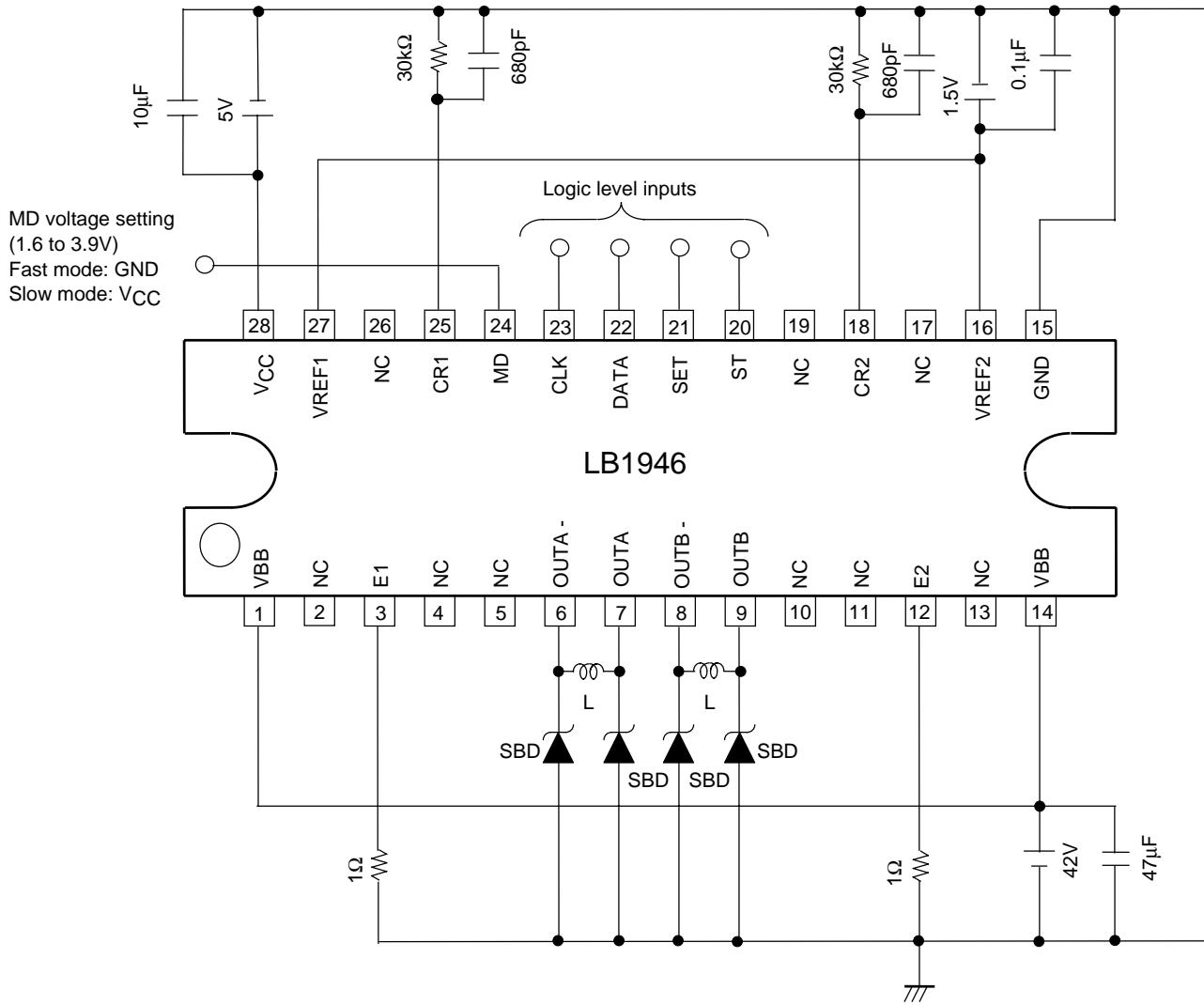
* Items in parentheses are defined by the serial data.

IA4 (D0)	IA3 (D1)	IA2 (D2)	IA1 (D3)	Set Current I _{OUT}	Current Ratio (%)
1	1	1	1	11.5/11.5×VREF/3.04RE=I _{OUT}	100
1	1	1	0	11.0/11.5×VREF/3.04RE=I _{OUT}	95.65
1	1	0	1	10.5/11.5×VREF/3.04RE=I _{OUT}	91.30
1	1	0	0	10.0/11.5×VREF/3.04RE=I _{OUT}	86.95
1	0	1	1	9.5/11.5×VREF/3.04RE=I _{OUT}	82.61
1	0	1	0	9.0/11.5×VREF/3.04RE=I _{OUT}	78.26
1	0	0	1	8.5/11.5×VREF/3.04RE=I _{OUT}	73.91
1	0	0	0	8.0/11.5×VREF/3.04RE=I _{OUT}	69.56
0	1	1	1	7.0/11.5×VREF/3.04RE=I _{OUT}	60.87
0	1	1	0	6.0/11.5×VREF/3.04RE=I _{OUT}	52.17
0	1	0	1	5.0/11.5×VREF/3.04RE=I _{OUT}	43.48
0	1	0	0	4.0/11.5×VREF/3.04RE=I _{OUT}	34.78
0	0	1	1	3.0/11.5×VREF/3.04RE=I _{OUT}	26.08
0	0	1	0	2.0/11.5×VREF/3.04RE=I _{OUT}	17.39

Note 1: The current ratios shown are calculated values.

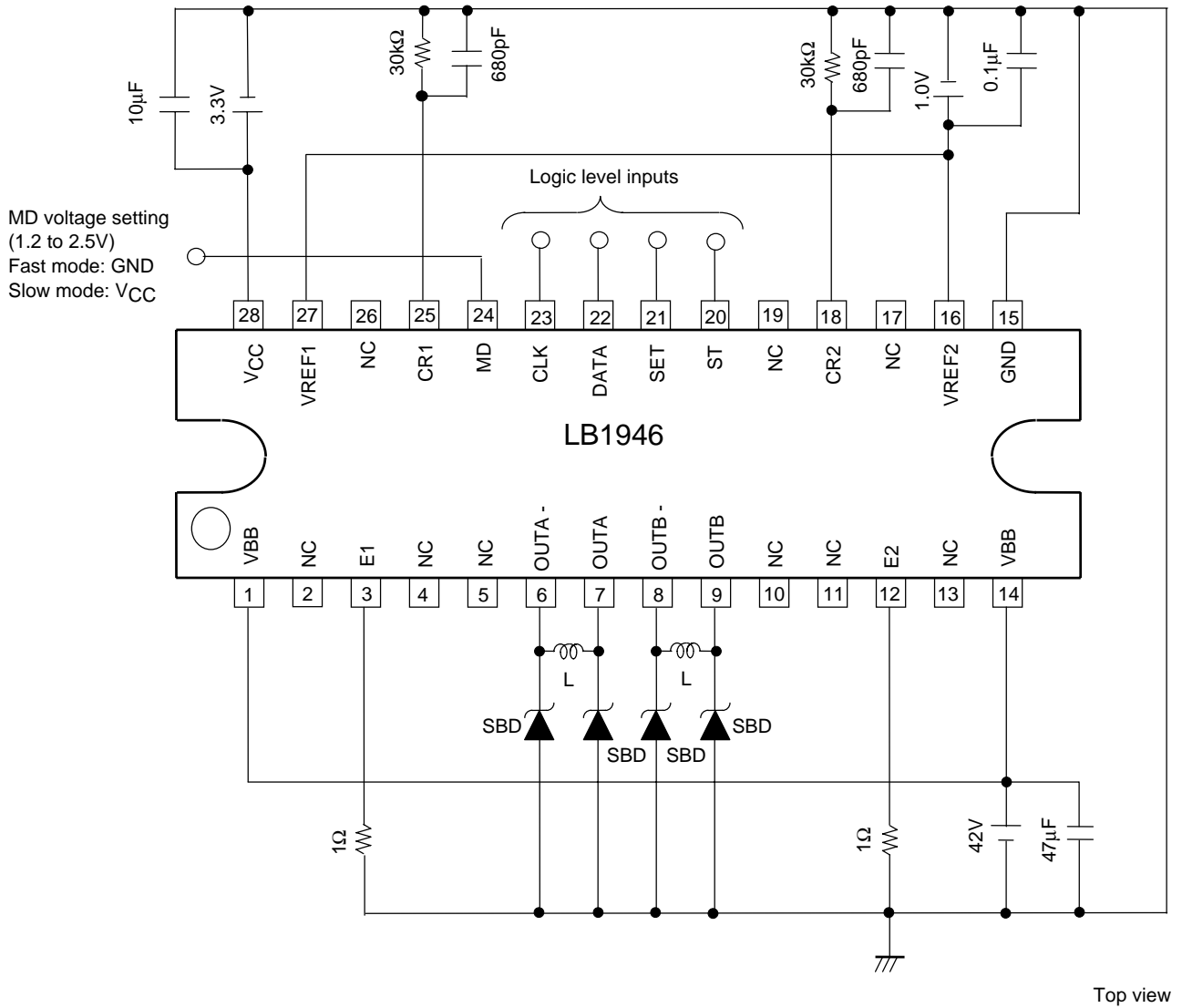
LB1946

Sample Application Circuit at $V_{CC}=5V$



LB1946

Sample Application Circuit at $V_{CC}=3.3V$



Current Path in Slow Decay Mode

Regenerative current during upper-side transistor switching operation

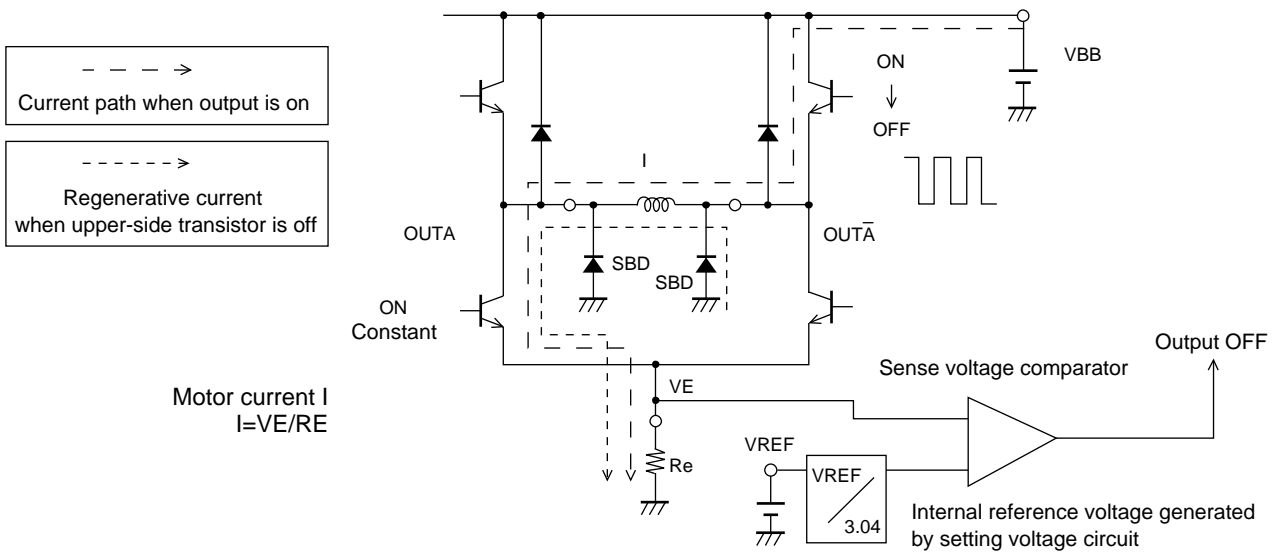
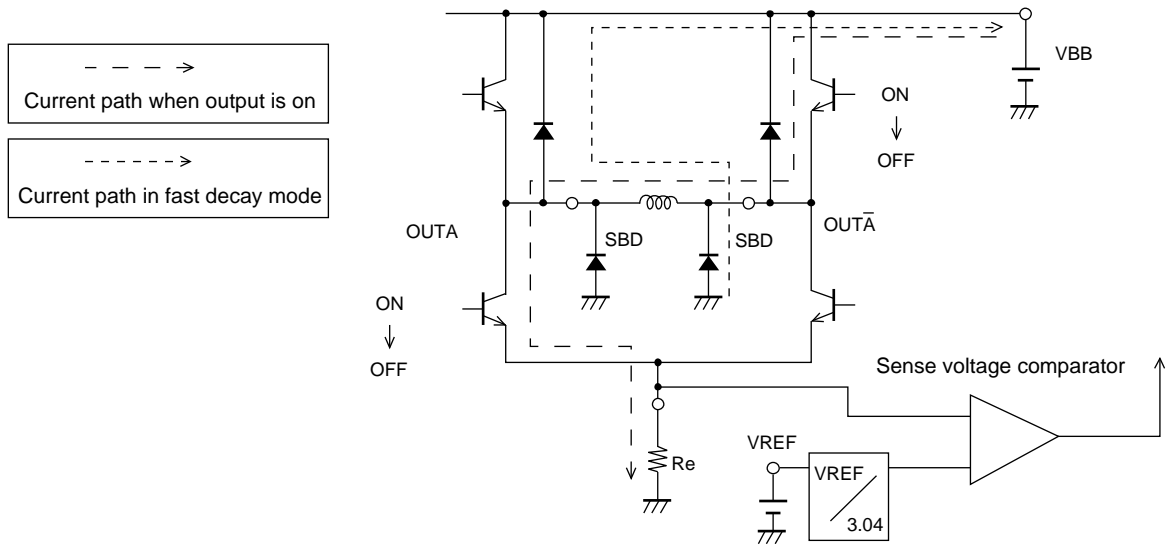


Figure 1

ILB01480

Current Path in Fast Decay Mode

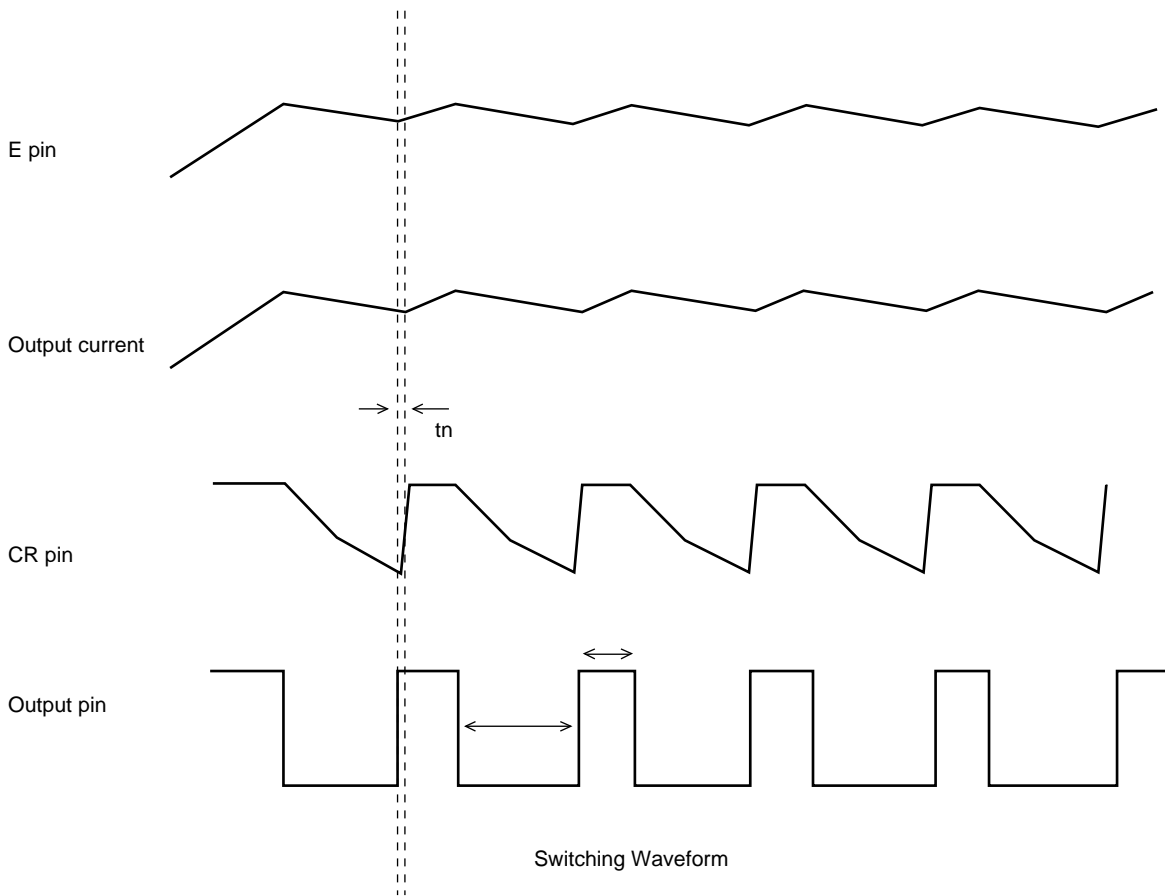


ILB01481

Switching Timing Chart During PWM Drive Mode

Slow decay (upper-side chopping)

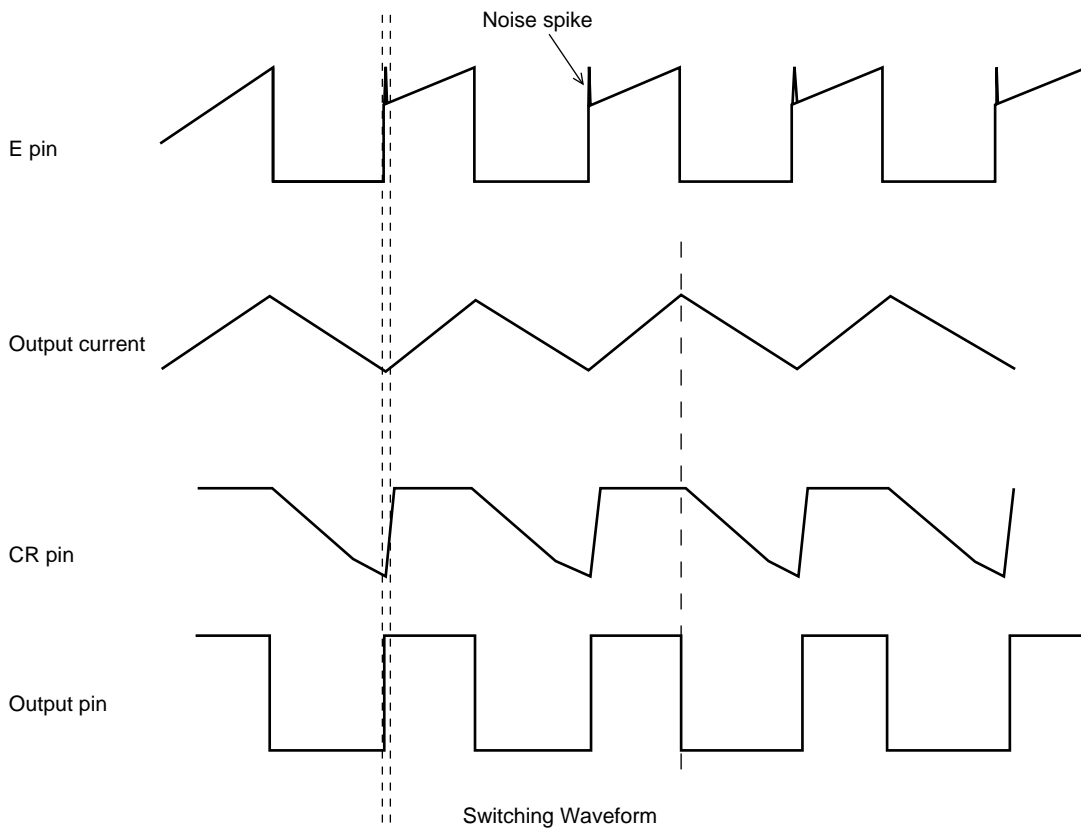
Serial transmission data (D4, D10) = High MD pin: Low



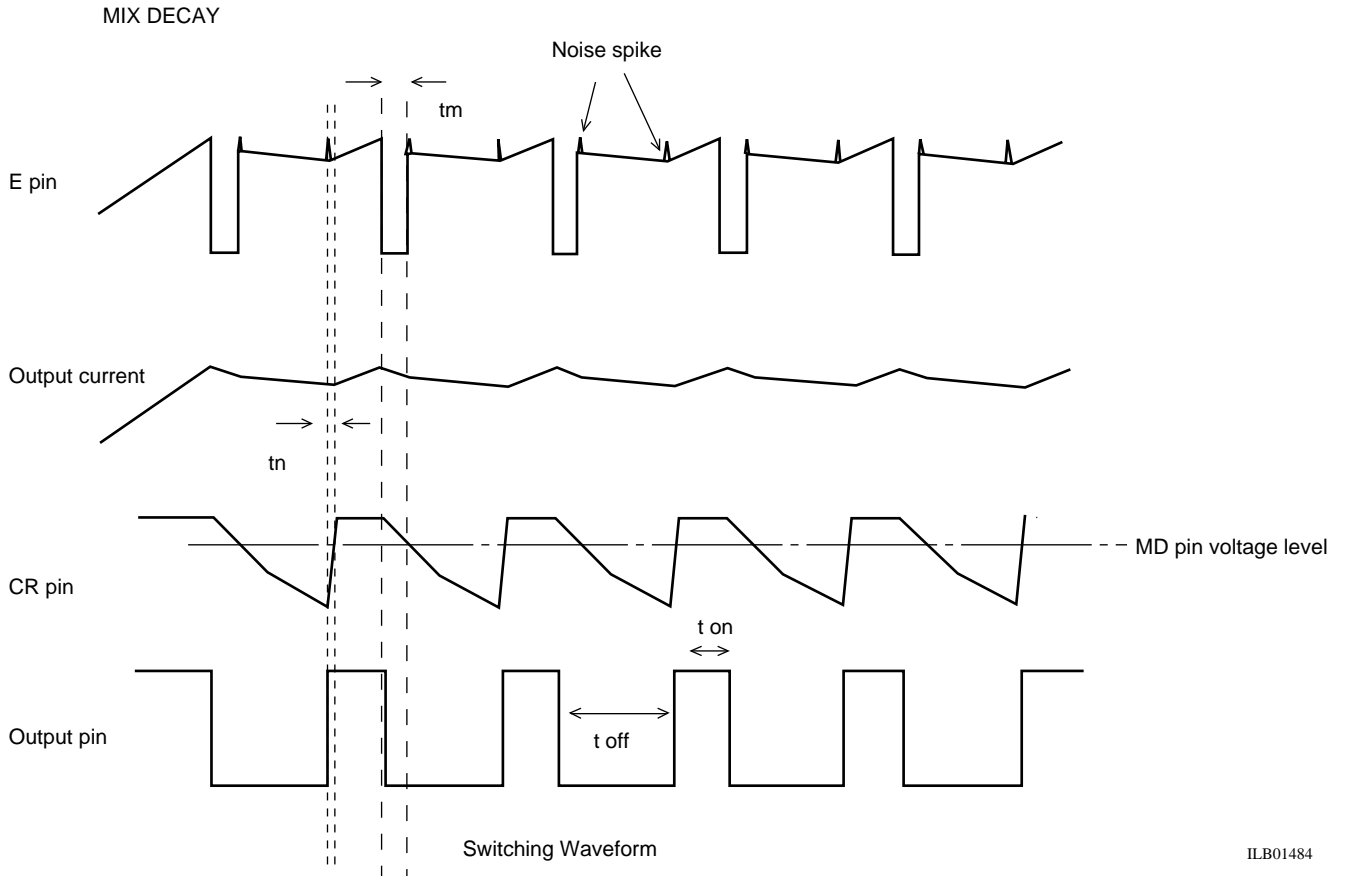
ILB01482

FAST DECAY

Serial transmission data (D4, D10) = Low MD pin: Low



ILB01483



ILB01484

Mix decay logic setting

When serial transmission data (D4, D10) is Low

MD pin setting:

5V VCC type: 1.6 to 3.9V

3.3V VCC type: 1.2 to 2.5V

CR voltage and MD pin voltage are compared to select dual-side chopping or upper-side chopping.

CR voltage > MD pin voltage: dual-side chopping

CR voltage < MD pin voltage: upper-side chopping

t_{on} : Output on time

t_{off} : Output off time

t_m : Fast decay time in mix decay mode

t_n : Noise cancellation time

1. Switching OFF time and noise cancellation time calculations

Notes on the CR pin setting (switching off time and noise canceller time)

The noise canceller time (T_n) and the switching off time (T_{off}) are set using the following formulas.

- When $V_{CC}=5V$

Noise canceller time (T_n)

$$T_n \approx C \cdot R \cdot \ln \left\{ \frac{(1.5 - RI)}{(4.0 - RI)} \right\} [s]$$

CR pin charge current: 1.25mA

Switching off time (T_{off})

$$T_{off} \approx -C \cdot R \cdot \ln (1.5/4.8) [s]$$

Component value ranges

R: 5.6k Ω to 100k Ω

C: 470pF to 2000pF

- When $V_{CC}=3.3V$

Noise canceller time (T_n)

$$T_n \approx C \cdot R \cdot \ln \left\{ \frac{(1.06 - RI)}{(2.66 - RI)} \right\} [s]$$

CR pin charge current: 0.7mA

Switching off time (T_{off})

$$T_{off} \approx -C \cdot R \cdot \ln (1.06/3.1) [s]$$

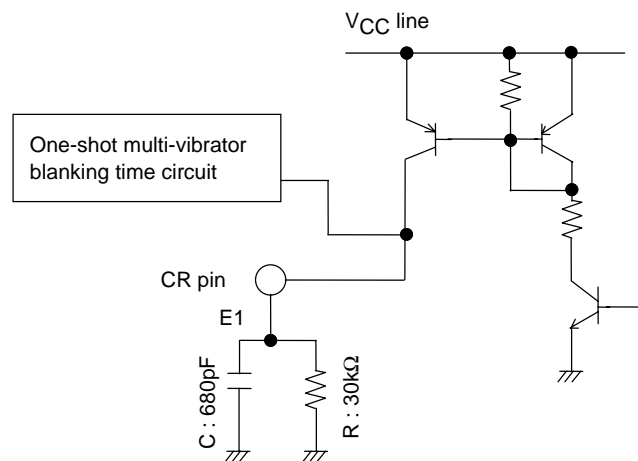


Figure 2 CR Pin Internal Circuit Structure

2. Notes on the MD pin

- If slow decay mode is set up by setting the D4 and D10 bits in the input serial data to 1, the MD pin must be shorted to GND.
- If the decay mode is set up by setting the D4 and D10 bits in the input serial data to 0, decay mode can be set with the MD pin.
When the $V_{CC}=5V$ specifications are used, the setting voltage range for mixed decay mode is 1.6 to 3.9V.
When the $V_{CC}=3.3V$ specifications are used, the setting voltage range for mixed decay mode is 1.2 to 2.5V.
If mixed decay mode will not be used with the fast decay mode setting, either:
Short the MD pin to GND to select fast decay mode, or
Short the MD pin to V_{CC} to select slow decay mode.

3. Usage Notes

• Notes on the VREF pin

Since the VREF pin inputs the reference voltage used to set the current, applications must be designed so that noise does not occur at this pin.

• Notes on the GND pins

Since this IC switches large currents, care is required with respect to the GND pins.

The PCB pattern in sections where large currents flow must be designed with low impedances and must be kept separate from the small-signal system.

In particular, the GND terminals of the E pin sense resistor (RE) and external Schottky barrier diode GND terminals must be located as close as possible to the IC GND. The capacitor between V_{CC} and ground and between VBB and GND must be as close as possible to the corresponding V_{CC} and VBB pin in the pattern.

• Power on sequence

When turning the power systems on

$V_{CC} \rightarrow$ logic level inputs (CLK, DATA, SET, and ST) \rightarrow VREF \rightarrow VBB

When turning the power systems off

VBB \rightarrow VREF \rightarrow logic level inputs (CLK, DATA, SET, and ST) \rightarrow V_{CC}

Note that if the power supply for the logic level inputs is on when the V_{CC} power supply is off, a bias with an unstable state will be applied to the protection diodes at the V_{CC} pins, and this can cause incorrect operation.

- Specifications of any and all SANYO Semiconductor products described or contained herein stipulate the performance, characteristics, and functions of the described products in the independent state, and are not guarantees of the performance, characteristics, and functions of the described products as mounted in the customer's products or equipment. To verify symptoms and states that cannot be evaluated in an independent device, the customer should always evaluate and test devices mounted in the customer's products or equipment.
- SANYO Semiconductor Co., Ltd. strives to supply high-quality high-reliability products. However, any and all semiconductor products fail with some probability. It is possible that these probabilistic failures could give rise to accidents or events that could endanger human lives, that could give rise to smoke or fire, or that could cause damage to other property. When designing equipment, adopt safety measures so that these kinds of accidents or events cannot occur. Such measures include but are not limited to protective circuits and error prevention circuits for safe design, redundant design, and structural design.
- In the event that any or all SANYO Semiconductor products (including technical data, services) described or contained herein are controlled under any of applicable local export control laws and regulations, such products must not be exported without obtaining the export license from the authorities concerned in accordance with the above law.
- No part of this publication may be reproduced or transmitted in any form or by any means, electronic or mechanical, including photocopying and recording, or any information storage or retrieval system, or otherwise, without the prior written permission of SANYO Semiconductor Co., Ltd.
- Any and all information described or contained herein are subject to change without notice due to product/technology improvement, etc. When designing equipment, refer to the "Delivery Specification" for the SANYO Semiconductor product that you intend to use.
- Information (including circuit diagrams and circuit parameters) herein is for example only; it is not guaranteed for volume production. SANYO Semiconductor believes information herein is accurate and reliable, but no guarantees are made or implied regarding its use or any infringements of intellectual property rights or other rights of third parties.

This catalog provides information as of January, 2007. Specifications and information herein are subject to change without notice.