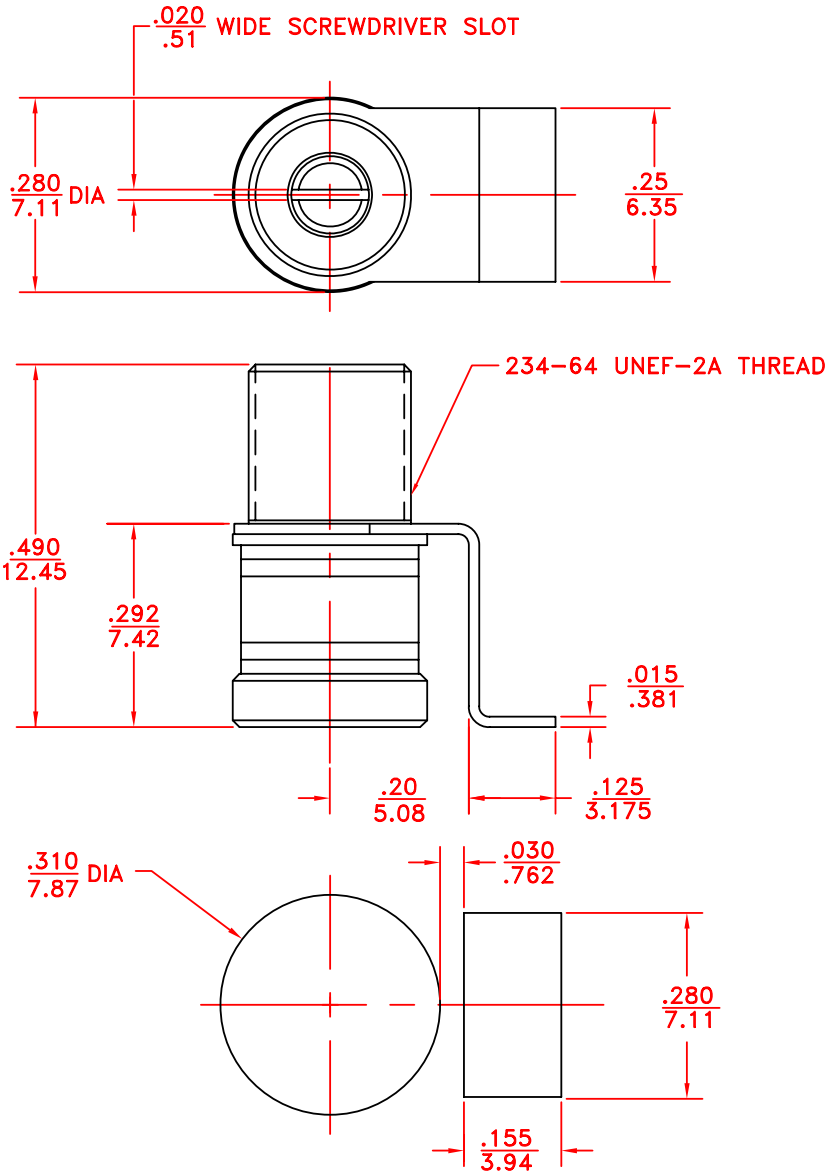


REV	DESCRIPTION	DATE	APP
00	NEW DRAWING	10/10/12	



NOTES:

1.  $C_{max} \geq 20$  pF
2.  $C_{min}$  below 2.0pF
3. Working voltage 1000 VDC
4. Withstanding voltage 2000 VDC
5.  $Q @ C_{max}$  and 100 MHz over 2000
6. Operating temperature  $-65^{\circ}$  C to  $+125^{\circ}$  C
7. Torque .5 to 5.0 oz-in
8. Rotational life 10,000 turns
9. Dimensions: ( in/mm )
10. Construction: nonmagnetic

SUGGESTED MOUNTING PAD LAYOUT

TOLERANCES: (EXCEPT AS NOTED)	SPRAGUE GOODMAN ELECTRONICS INC. 1700 SHAMES DRIVE WESTBURY, NY 11590		
DECIMAL: $\pm 0.002$ in $\pm 0.051$ mm	MATERIAL:	SCALE: 4:1	DRAWN BY: R. LEVIN
FRACTIONAL: 1/64	TITLE: OUTLINE DWG SGNMA3T20009	APPROVED: D. DITLYA	
ANGULAR: 1 $^{\circ}$	DATE: 10/10/12	DRAWING NUMBER SGNMA3T20009	USED FOR: REV. 00